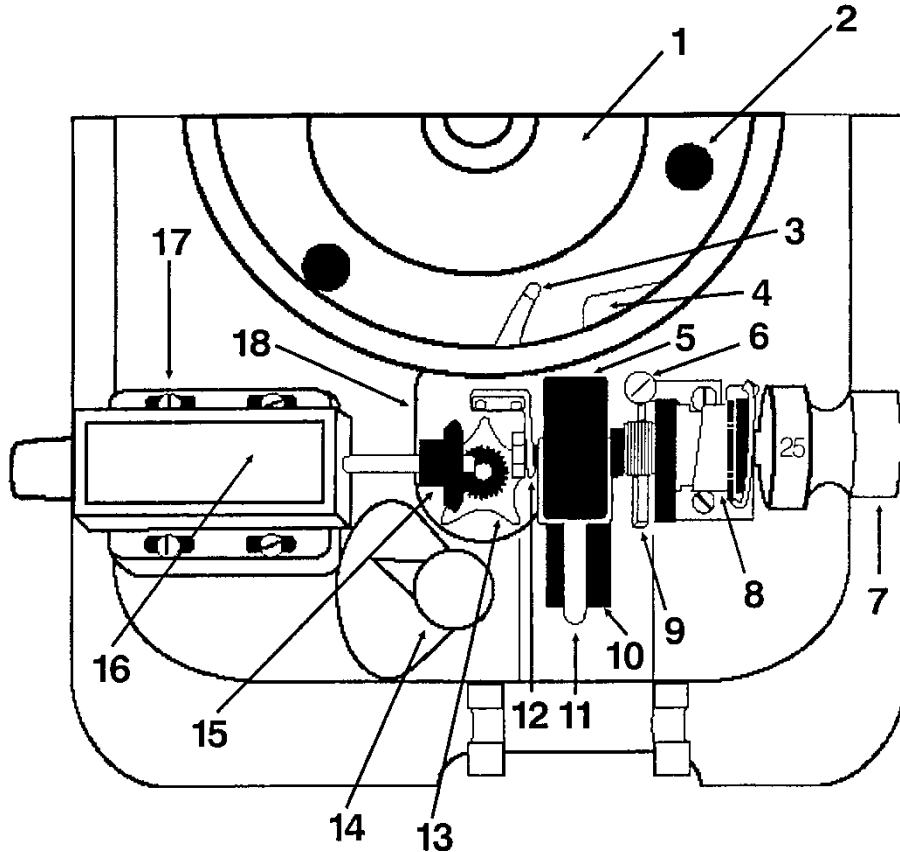


## Counter Top: Machine Illustration and Parts List



| <u>Item #</u> | <u>Part #</u> | <u>Description</u>               | <u>Price</u> | <u>Item #</u> | <u>Part #</u> | <u>Description</u>                                    | <u>Price</u> |
|---------------|---------------|----------------------------------|--------------|---------------|---------------|---|--------------|
| 1             | 93-1310       | Disc Assembly                    | \$129.50     | 10            | 93-2210       | Lower Discharge Wheel Assembly                        | \$45.00      |
| 2             | 3-1360        | Disc Insert (6 per)              | \$0.75       | 11            | 3-5700        | Coin Guide Finger                                     | \$4.50       |
| 3             | 3-11502       | Raking Finger                    | \$15.00      | 12            | 93-4102       | Hopper/Horn Assembly                                  | \$65.00      |
|               | 3-1150        | Raking Finger - Pre 2000         | \$15.00      |               | 93-4100       | Hopper/Horn Assembly - Pre 2000                       | \$65.00      |
| 4             | 93-4202       | Shield/Plate Assembly            | \$28.00      | 13            | 3-0100        | Drive Star  | \$15.00      |
|               | 93-4200       | Shield/Plate Assembly - Pre 2000 | \$28.00      |               | 3-0400        | Drive Star Nut  | \$2.25       |
| 5             | 93-5810       | Upper Discharge Wheel Assembly   | \$15.00      | 14            | 93-0500       | Coin Stop Release Knob Assembly                       | \$8.00       |
| 6             | 3-6200        | Hopper Shoulder Screw            | \$3.50       | 15            | 3-9210        | Meter Bevel Gear                                      | \$8.00       |
|               | 3-6300        | Hopper Shoulder Screw Plate      | \$2.50       |               | 3-9400        | Drive Star Shaft Pinion Gear                          | \$8.00       |
|               | 3-6400        | Hopper Shoulder Screw Spring     | \$3.00       | 16            | 3-9010        | Meter Assembly  | \$105.00     |
| 7             | 93-52702      | Knob Assembly                    | \$11.00      |               | 93-9000       | Meter and Conversion Kit                              | \$120.00     |
| 8             | 93-53702      | Worm Assembly                    | \$28.00      | 17            | 278-391051025 | Meter Mounting Screws<br>(5-40 X 1/4 Pan Head Screws) |              |
| 9             | 93-6170       | Guide Rail Assembly              | \$11.00      | 18            | 93-1100       | Counter Top Assembly                                  | \$125.00     |