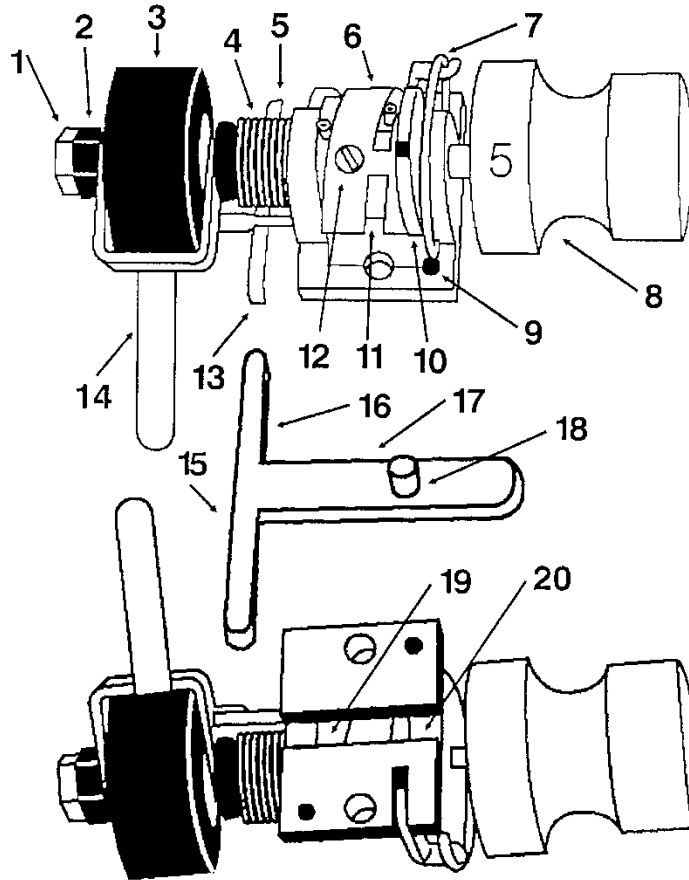


Coin Gauge Assembly: Illustration and Parts List



<u>Item #</u>	<u>Part #</u>	<u>Description</u>	<u>Price</u>	<u>Item #</u>	<u>Part #</u>	<u>Description</u>	<u>Price</u>
1	278-350051000	Coin Gauge Hex Nut		9	93-5102004	Coin Gauge Bracket Assembly	\$46.75
2	3-5900	Coin Gauge Cam US 1\$	\$9.00	10		Locator Disc	N/A
	3-5910	Coin Gauge Cam - Canadian \$1	\$18.00	11		Worm Groove	N/A
	3-5980	Coin Gauge Cam - 1 1/8" & Canadian \$2	\$18.00	12	278-332026025	Worm Set Screw	
3	93-5810	Upper Discharge Wheel Assembly	\$15.00	13	93-6170	Guide Rail Assembly	\$11.00
4	3-5600	Coin Guide Finger Spring	\$2.50	14	3-5700	Coin Guide Finger	\$4.50
5	93-6170	Guide Rail Assembly	\$11.00	15	93-6170	Guide Rail Assembly	\$11.00
	93-53702	Worm Assembly	\$28.00	16	93-6170	Guide Rail Assembly	\$11.00
	93-53700	Worm Assembly Pre 2000	\$38.50	17	93-6170	Guide Rail Assembly	\$11.00
7	3-5500	Locator Pawl Spring	\$4.00	18		Guide Rail Pin	N/A
8	93-5270	Knob Assembly - Pre 2000	\$11.00	19		Groove in Worm Gear	N/A
	93-52702	Knob Assembly	\$11.00	20		Slot for Guide Rail	N/A
	93-5280	Knob Assembly 1-1/8" & \$2	\$11.00				