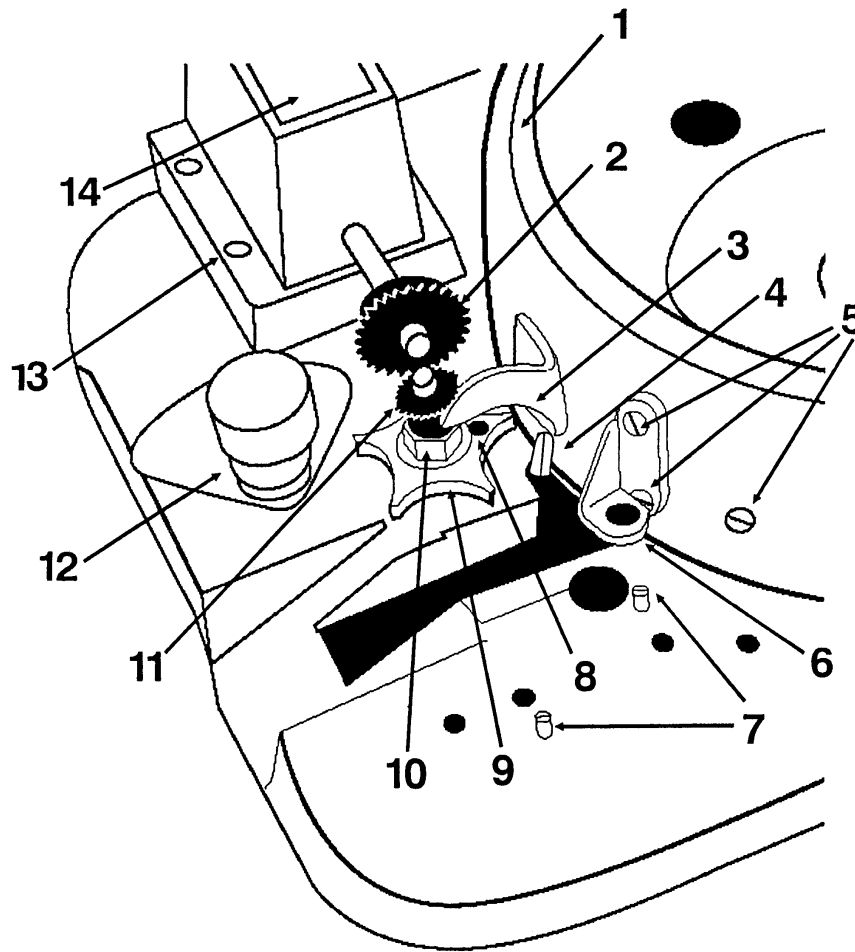


## Counter Top (Coin Gauge Removed): Machine Illustration and Parts List



<u>Item #</u>	<u>Part #</u>	<u>Description</u>	<u>Price</u>	<u>Item #</u>	<u>Part #</u>	<u>Description</u>	<u>Price</u>
1	93-4102	Hopper/Horn Assembly	\$65.00	8		Hole in Drive Star	N/A
2	3-9210	Meter Bevel Gear	\$8.00	9	3-0100	Drive Star	\$15.00
	3-9219	Meter Bevel Gear (Veeder-Root)	\$10.25	10	3-0400	Drive Star Nut	\$2.25
3		Hopper Horn	N/A	11	3-9400	Drive Star Shaft Pinion Gear	\$8.00
4	91-2700	Coin Stop Assembly	\$36.00	12	93-0500	Coin Stop Release Knob Assembly	\$8.00
5		Shield Mounting Screws	N/A	13	278-391051025	Meter Mounting Screws	
6	3-4302	Hopper Spring Bracket	\$7.00	14	3-9010	Meter Assembly	\$105.00
7		Coin Gauge Mounting Pins	N/A		93-9000	Meter & Conversion Kit	\$120.00