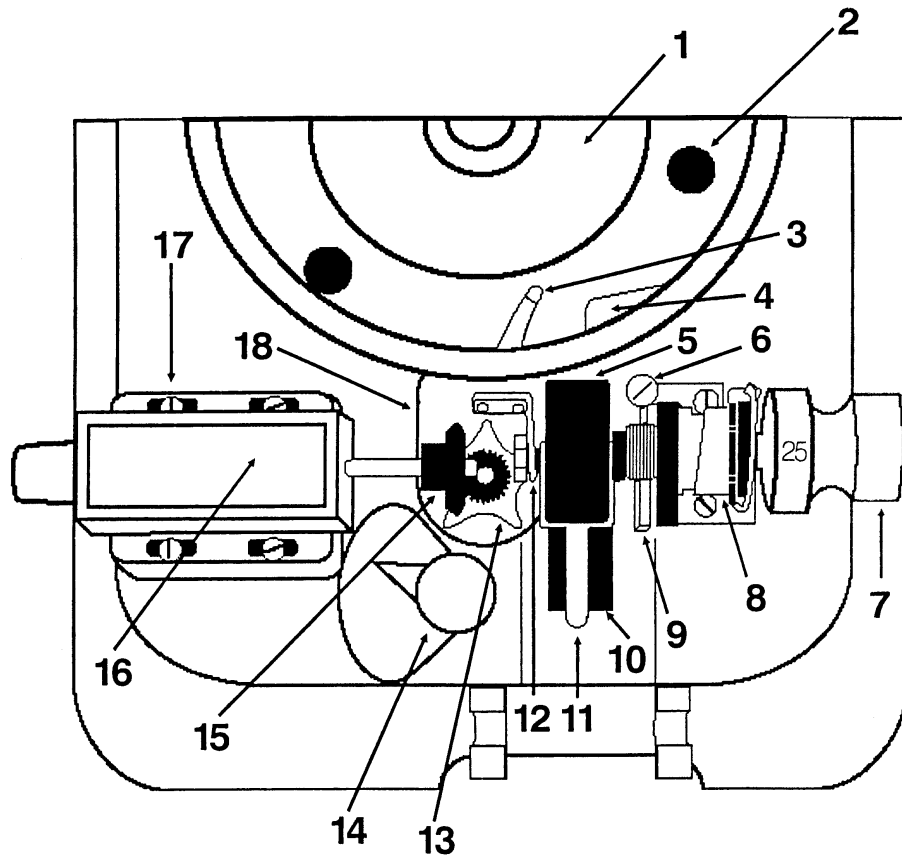


## Counter Top: Machine Illustration and Parts List



<u>Item #</u>	<u>Part #</u>	<u>Description</u>	<u>Price</u>	<u>Item #</u>	<u>Part #</u>	<u>Description</u>	<u>Price</u>
1	93-1310	Disc Assembly	\$129.50	10	93-2210	Lower Discharge Wheel Assembly	\$45.00
2	3-1360	Disc Insert (6 per)	\$0.75	11	3-5700	Coin Guide Finger	\$4.50
3	3-11502	Raking Finger	\$15.00	12	93-4102	Hopper/Horn Assembly	\$65.00
	3-1150	Raking Finger - Pre 2000	\$15.00		93-4100	Hopper/Horn Assembly - Pre 2000	\$65.00
4	93-4202	Shield/Plate Assembly	\$28.00	13	3-0100	Drive Star	\$15.00
	93-4200	Shield/Plate Assembly - Pre 2000	\$28.00		3-0400	Drive Star Nut	\$2.25
5	93-5810	Upper Discharge Wheel Assembly	\$15.00	14	93-0500	Coin Stop Release Knob Assembly	\$8.00
6	3-6200	Hopper Shoulder Screw	\$3.50	15	3-9210	Meter Bevel Gear	\$8.00
	3-6300	Hopper Shoulder Screw Plate	\$2.50		3-9400	Drive Star Shaft Pinion Gear	\$8.00
	3-6400	Hopper Shoulder Screw Spring	\$3.00	16	3-9010	Meter Assembly	\$105.00
7	93-52702	Knob Assembly	\$11.00		93-9000	Meter and Conversion Kit	\$120.00
8	93-53702	Worm Assembly	\$28.00	17	278-391051025	Meter Mounting Screws (5-40 X 1/4 Pan Head Screws)	
9	93-6170	Guide Rail Assembly	\$11.00	18	93-1100	Counter Top Assembly	\$125.00