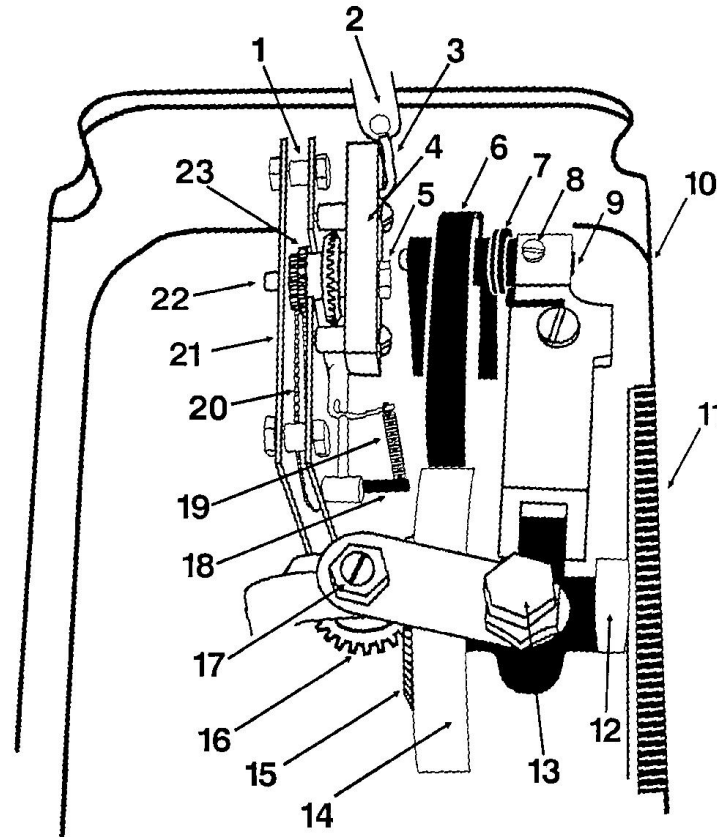


Counter Underside: Machine Illustration and Parts List



<u>Item #</u>	<u>Part #</u>	<u>Description</u>	<u>Price</u>	<u>Item #</u>	<u>Part #</u>	<u>Description</u>	<u>Price</u>
1	91-0000	Register Assembly	\$329.00	14	3-2110	CM Drive Wheel	\$20.50
2	N/A	Trip (Obsolete)	N/A	4-2110		CE Drive Wheel	\$18.50
3	N/A	Trip Rod (Obsolete)	N/A	15	N/A	Drive Wheel Gear Teeth (SEE #14)	N/A
4	1-3000	Bridge Bearing	\$12.25	16	3-1349	Disc Shaft Pinion Gear, Modified	\$9.00
5		Bevel Gear Shaft Nut		17	3-1230	Ball Retainer	\$6.00
6	93-2210	Lower Discharge Wheel Assembly	\$45.00	3-1240		Ball Retainer Lock Nut	\$3.25
7	3-2223	Lower Discharge Wheel Spring - CM	\$3.00	18	1-2800	Z-Bar	\$8.00
	4-2240	Lower Discharge Wheel Spring - CE	\$8.00	19	1-2900	Z-Bar Spring	\$2.50
8		Locking Screw (For Eccentric Shaft)		20	91-1400	40 Lock Gear Assembly	N/A
9	3-22212	Eccentric Shaft	\$15.25		91-1500	50 Lock Gear Assembly	N/A
10		Wrapper Access Hole		21	N/A	Register Plate	N/A
11	4-3900	CE Drive Belt	\$28.00	22	1-3310	Bevel Gear Shaft - 2 Plate	\$4.00
12	4-2500	CE Drive Belt Pulley	\$37.50	23	91-3200	Bevel Gear Assembly	\$51.00
13		Oil Chamber Bolt & Nut					