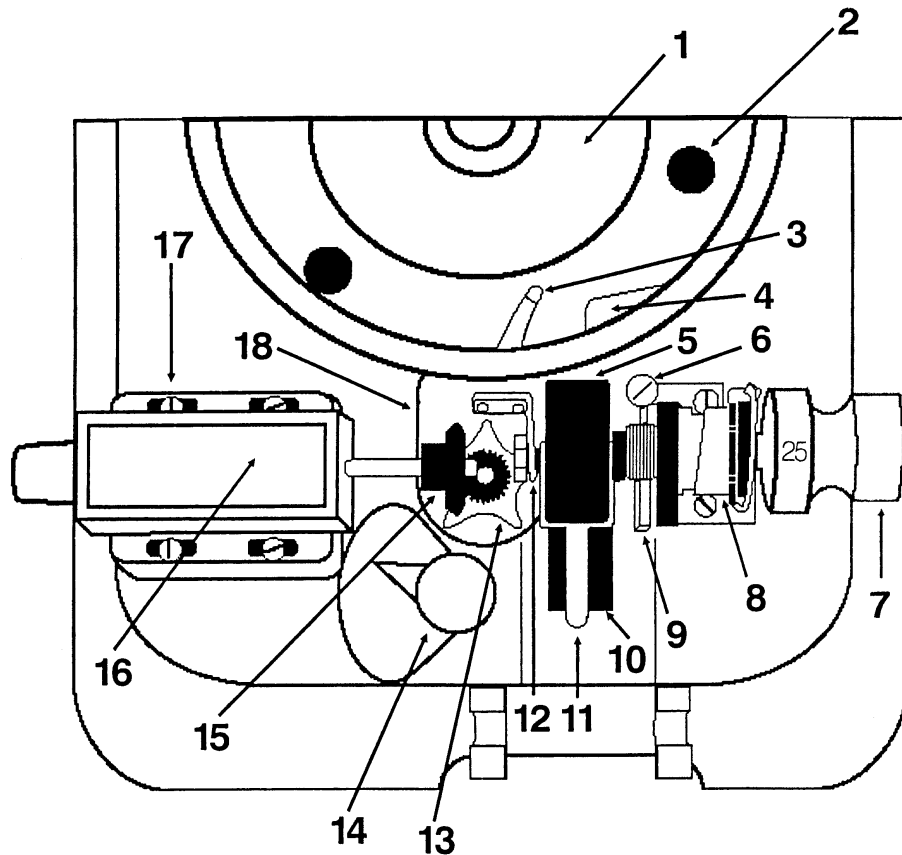


Counter Top: Machine Illustration and Parts List



| <u>Item #</u> | <u>Part #</u> | <u>Description</u> | <u>Price</u> | <u>Item #</u> | <u>Part #</u> | <u>Description</u> | <u>Price</u> |
|---------------|---------------|----------------------------------|--------------|---------------|---------------|---|--------------|
| 1 | 93-1310 | Disc Assembly | \$129.50 | 10 | 93-2210 | Lower Discharge Wheel Assembly | \$45.00 |
| 2 | 3-1360 | Disc Insert (6 per) | \$0.75 | 11 | 3-5700 | Coin Guide Finger | \$4.50 |
| 3 | 3-11502 | Raking Finger | \$15.00 | 12 | 93-4102 | Hopper/Horn Assembly | \$65.00 |
| | 3-1150 | Raking Finger - Pre 2000 | \$15.00 | | 93-4100 | Hopper/Horn Assembly - Pre 2000 | \$65.00 |
| 4 | 93-4202 | Shield/Plate Assembly | \$28.00 | 13 | 3-0100 | Drive Star | \$15.00 |
| | 93-4200 | Shield/Plate Assembly - Pre 2000 | \$28.00 | | 3-0400 | Drive Star Nut | \$2.25 |
| 5 | 93-5810 | Upper Discharge Wheel Assembly | \$15.00 | 14 | 93-0500 | Coin Stop Release Knob Assembly | \$8.00 |
| 6 | 3-6200 | Hopper Shoulder Screw | \$3.50 | 15 | 3-9210 | Meter Bevel Gear | \$8.00 |
| | 3-6300 | Hopper Shoulder Screw Plate | \$2.50 | | 3-9400 | Drive Star Shaft Pinion Gear | \$8.00 |
| | 3-6400 | Hopper Shoulder Screw Spring | \$3.00 | 16 | 3-9010 | Meter Assembly | \$105.00 |
| 7 | 93-52702 | Knob Assembly | \$11.00 | | 93-9000 | Meter and Conversion Kit | \$120.00 |
| 8 | 93-53702 | Worm Assembly | \$28.00 | 17 | 278-391051025 | Meter Mounting Screws (5-40 X 1/4 Pan Head Screws) | |
| 9 | 93-6170 | Guide Rail Assembly | \$11.00 | 18 | 93-1100 | Counter Top Assembly | \$125.00 |