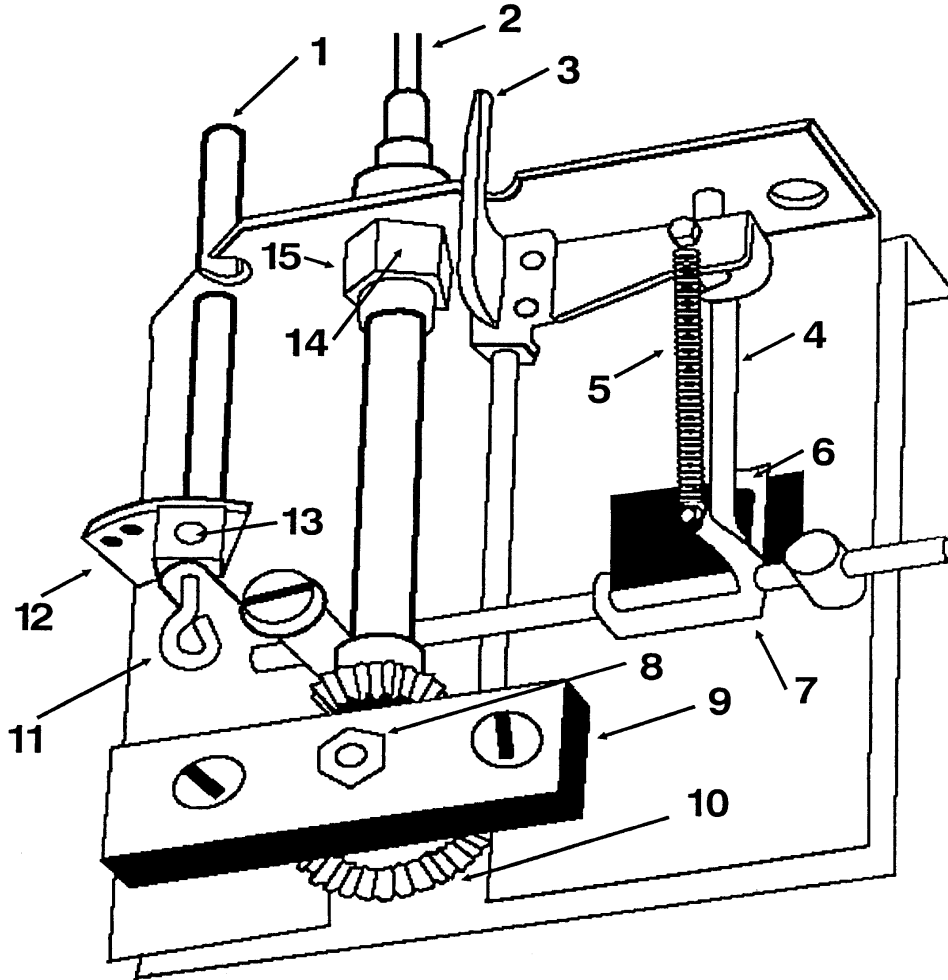


**Register Assembly: Diagram and Parts List**



<u>Item #</u>	<u>Part #</u>	<u>Description</u>	<u>Price</u>	<u>Item #</u>	<u>Part #</u>	<u>Description</u>	<u>Price</u>
1	91-020	Upright Shaft Assembly	\$14.00	10	91-320	Bevel Gear Assembly	\$51.00
2	91-240	Drive Shaft Assembly	\$45.00	11	1-023	Upright Shaft Block Pin	\$2.75
3	91-270	Coin Stop Assembly	\$30.00	12	1-013	Upright Shaft Guide Bracket	\$5.50
4	1-280	Z Bar	\$8.00	13		Set Screw	
5	1-290	Z Bar Spring	\$2.50	14		Drive Shaft Cam	
6		Limited Count Large Lever		15	1-10	Overthrow Lock (Behind Cam)	\$3.25
7		Limited Count Shaft Assembly			1-12	Overthrow Lock Spring	\$2.50
8	1-331	Bevel Gear Shaft - 2 Plate	\$4.00		1-230	Overthrow Release Link Screw	\$2.00
9	1-30	Bridge Bearing	\$11.50		3-760	Tube Clip Shoulder Screw	\$2.50

