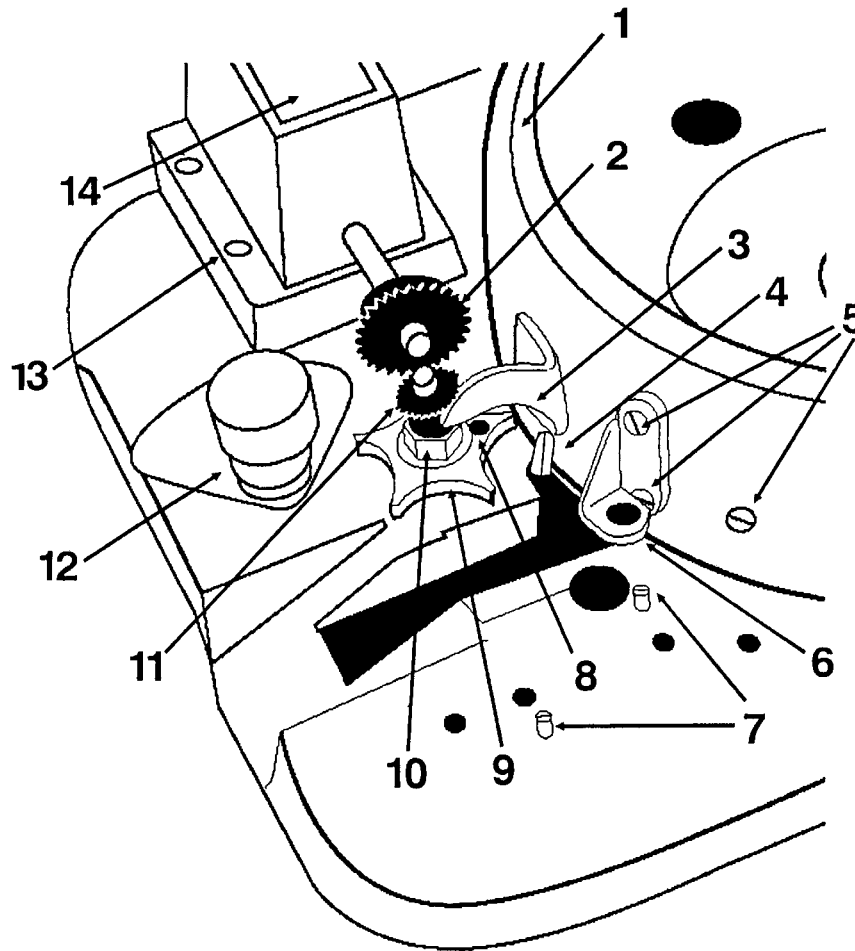


Counter Top (Coin Gauge Removed): Machine Illustration and Parts List



<u>Item #</u>	<u>Part #</u>	<u>Description</u>	<u>Price</u>	<u>Item #</u>	<u>Part #</u>	<u>Description</u>	<u>Price</u>
1	43-4102	Hopper/Horn Assembly	\$65.00	8		Hole in Drive Star	
2	3-9210	Meter Bevel Gear - (Redington Meter)	\$8.00	9	2-010	Drive Star	\$15.00
	3-9219	Meter Bevel Gear - (Veeder-Root Meter)	\$9.00	10	2-040	Drive Star Nut	\$2.25
3		Hopper Horn - 2000		11	3-940	Drive Star Shaft Pinion Gear	\$8.00
4	9-127	Coin Stop Assembly	\$30.00	12	92-050	Coin Stop Release Knob Assembly	\$7.00
5		Shield Mounting Screws		13	278-391051025	Meter Mounting Screws	
6	3-4302	Hopper Spring Bracket - 2000	\$7.00	14	3-9010	Meter (Redington)	\$85.00

3-430	Hopper Spring Bracket - Pre 3/00	\$6.00	93-900	Meter & Conversion Kit	\$99.00
7	Coin Gauge Mounting Pins				

0717B-KI00 Counter Top (Coin Gauge Removed) Diagram and Parts List.doc

10/18/2007