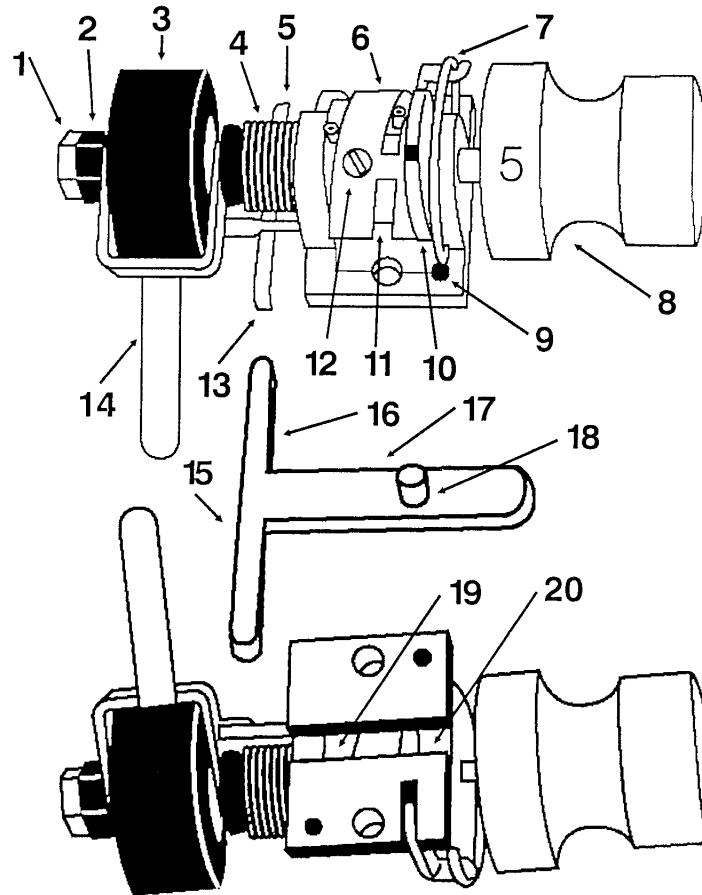


## Coin Gauge Assembly: Illustration and Parts List



<u>Item #</u>	<u>Part #</u>	<u>Description</u>	<u>Price</u>	<u>Item #</u>	<u>Part #</u>	<u>Description</u>	<u>Price</u>
1	278-350051000	Coin Gauge Hex Nut		9	93-5102004	Coin Gauge Bracket Assembly 2004	\$35.00
2	3-590	Cam/Coin Gauge - US \$\$ Smaller	\$9.00	10		Locator Disc	
	3-5910	Cam/Coin Gauge - Canadian \$1	\$9.00	11		Worm Groove	
	3-5980	Cam/Coin Gauge - 1 1/8" \$ Canadian \$2	\$9.00	12	278-332026025	Worm Set Screw	
3	93-581	Upper Discharge Wheel Assembly	\$15.00	13	93-6170	Guide Rail Assembly	\$11.00
4	3-560	Coin Guide Finger Spring	\$2.50	14	3-570	Coin Guide Finger	\$4.50
5	93-6170	Guide Rail Assembly	\$11.00	15	93-6170	Guide Rail Assembly	\$11.00
6	93-53702	Coin Gauge Worm Assembly - 2000	\$28.00	16	93-6170	Guide Rail Assembly	\$11.00
7	3-550	Locator Pawl Spring	\$4.00	17	93-6170	Guide Rail Assembly	\$11.00
8	93-527	Knob Assembly - Pre 2000	\$11.00	18		Guide Rail Pin	
	93-52702	Knob Assembly - 2000	\$11.00	19		Groove in Worm Gear	
	93-528	Knob Assembly - 1 1/8" - \$2	\$11.00	20		Slot for Guide Rail	