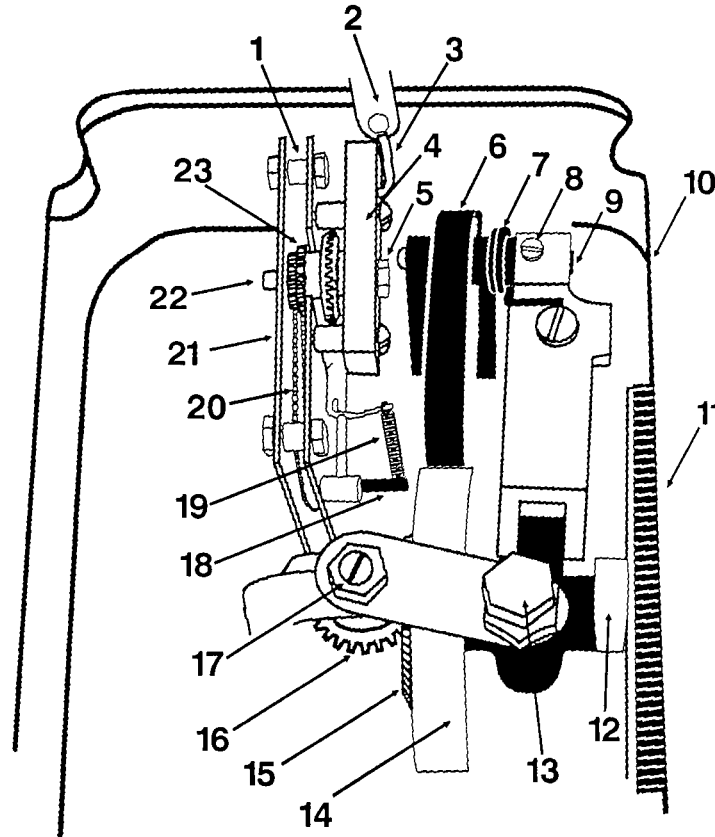


Counter Underside: Machine Illustration and Parts List



<u>Item #</u>	<u>Part #</u>	<u>Description</u>	<u>Price</u>	<u>Item #</u>	<u>Part #</u>	<u>Description</u>	<u>Price</u>
1	91-00	Register Assembly	\$278.75	14	3-2110	CM Drive Wheel	\$20.50
2	N/A	Trip	N/A		4-2110	CE Drive Wheel	\$18.50
3	N/A	Trip Rod	N/A	15	N/A	Drive Wheel Gear Teeth (SEE #14)	N/A
4	1-30	Bridge Bearing	\$11.50	16	3-1349	Disc Shaft Pinion Gear	\$8.50
5		Bevel Gear Shaft Nut		17	3-1230	Ball Retainer	\$3.50
6	93-2210	Lower Discharge Wheel	\$45.00		3-124	Ball Retainer Lock Nut	\$3.00
7	3-22230	Lower Discharge Wheel Spring - CM	\$3.00	18	1-280	Z Bar	\$8.00
	4-2240	Lower Discharge Wheel Spring - CE	\$8.00	19	1-290	Z Bar Spring	\$2.50
8		Locking Screw (For Eccentric Shaft)		20	91-140	40 Lock Gear Assembly	\$18.00
9	3-222120	Eccentric Shaft (Slotted End)	\$15.25		91-150	50 Lock Gear Assembly	\$18.00
10		Wrapper Access Hole		21	N/A	Register Plate	N/A
11	4-390	Motor Drive Belt	\$21.00	22	1-331	Bevel Gear Shaft	\$4.00
12	4-360	Motor Pulley (w/ Set Screw)	\$11.00	23	91-320	Bevel Gear Assembly	\$51.00
13		Oil Chamber Bolt & Nut					

