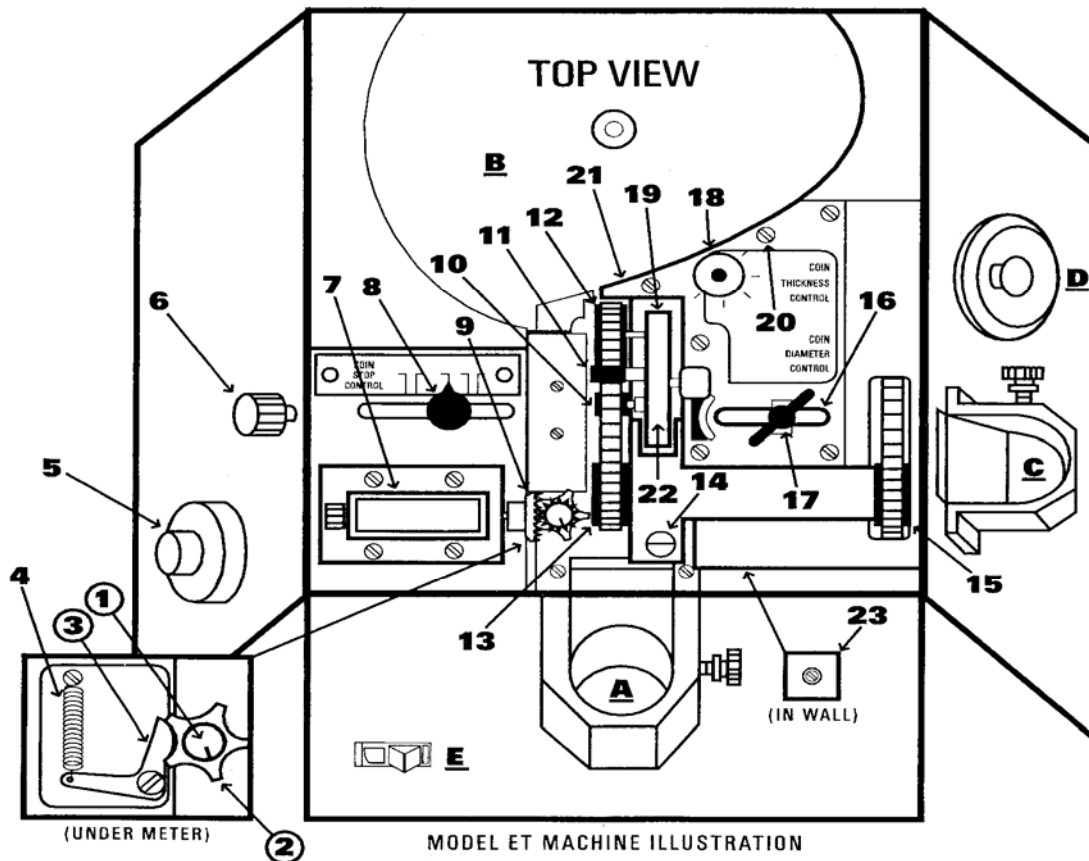


Model ET: Machine Illustration and Parts List



<u>Item #</u>	<u>Part #</u>	<u>Description</u>	<u>Price</u>	<u>Item #</u>	<u>Part #</u>	<u>Description</u>	<u>Price</u>
1	98-600	Starwheel Assembly	\$149.00	16	8-2081	Knob - Diameter	\$4.00
2	8-601	Starwheel	\$35.00	17	8-209	Spacer - Diameter	\$24.00
3	8-509	Pawl - Starwheel	\$15.00	18	8-202	Knob - Thickness	\$11.00
4	8-510	Spring - Starwheel Pawl	\$5.00	19a	278-320050025	5-40 X 1/4" Socet Set Screw	\$1.00
5	98-110	Reset Button Assembly	\$30.00	19b	278-326080050	8-32 X 1/2" Slotted Set Screw	\$1.00
6	98-505	Knob - Stop Control Setting	\$15.00	20	8-207	Pin - Height Block	\$8.00
7	8-506	Meter	\$85.00	21	8-201	Block - Height	\$72.00
8	8-208	Knob - Coin Stop	\$3.00	22	98-40-085	Cmplt. Belt Tension Arm Assy.	\$120.00
9	98-507	Meter Bevel Gear Assembly	\$10.00	23	8-120	Pin - Lock Pivot	\$4.00
10	98-407	Idler Pulley Assembly	\$7.00	A	98-1031	Front Tube Holder Assembly	\$75.00
11	8-4082	Roller - Belt Tension	\$3.50	B	98-300	Disc Assembly	\$149.00
12	98-4053	Coin Drive Pulley Assembly	\$10.00	C	98-1032	Side Tube Holder Assembly	\$75.00
13	8-9405	Small Pulley - Upper Drive Shaft	\$8.50	D	8-109	Knob - Bent Coin	\$25.00
14	278-332251088	J-Screw	\$1.50	E	8-107	Switch Motor	\$16.00
15	8-4051	Large Pulley - Upper Drive Shaft	\$8.50				